



DESCRIPTION:

PT62A float traps are designed to drain moisture / liquids from compressed air / gas systems.

FEATURES:

Modulating discharge.

USE: Compressed air and non-corrosive gas compatible with the construction.

SIZES : 1/2", 3/4", 1"

CONNECTIONS: Screwed (NPT) / Flanged / SW (for CS traps)



LIMITING CONDITIONS:

PMA: Maximum allowable pressure	228 psig
TMA: Maximum allowable temperature	428 °F
PMO: Maximum operating pressure	200 psig
TMO: Maximum operating temperature	400 °F

CAUTION:

DO NOT USE FOR HAZARDOUS / POISONOUS MEDIA

INSTALLATION:

Horizontal installation with flow from left to right.

The trap should be installed below the drain point of the equipment with the flow direction as indicated by the arrow on the trap.

It is recommended that an equalizer line be fitted as shown in the installation manual for this product.

The word 'TOP' on the nameplate indicates the top side of the trap.

Max. differential pressure range:

PT62A-65 : 65 psi

PT62A-145 : 145 psi

PT62A-200 : 200 psi

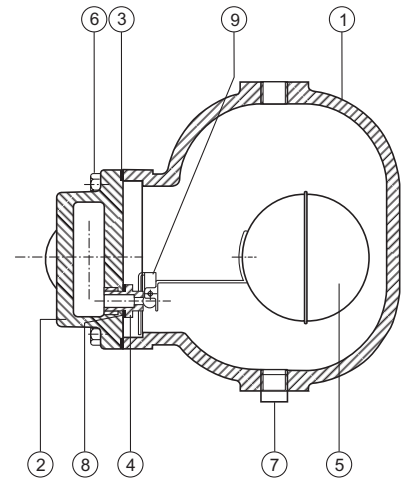
DISCHARGE CAPACITY IN lbs/hr (Cold water)
Differential Pressure (psi)

Model	Size	7	15	21.5	28.5	42.5	57	65	70	85	100	115	128	145	157	170	185	200
PT62A-65	1/2", 3/4"	570	800	915	1000	1145	1300	1420										
PT62A-65	1"	2400	2700	3000	3300	3895	4490	4800										
PT62A-145	1/2", 3/4"	385	430	506	540	660	770	805	825	860	1000	1110	1145	1200				
PT62A-145	1"	1728	1870	2035	2180	2485	2795	2938	3090	3390	3685	3993	4290	4588				
PT62A-200	1/2", 3/4"	363	395	430	475	550	627	660	705	770	850	935	1000	1078	1155	1230	1300	1375
PT62A-200	1"	1220	1300	1375	1465	1617	1770	1850	1935	2090	2245	2400	2565	2718	2870	3050	3200	3366

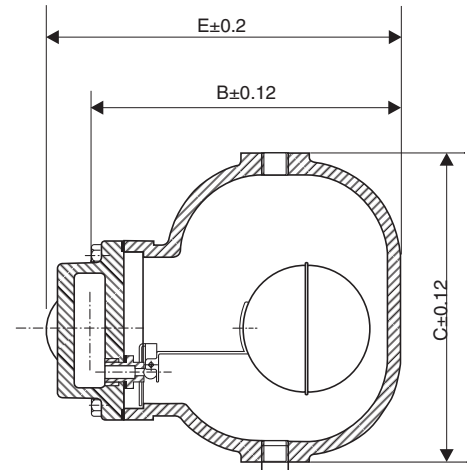
MATERIAL:

NO.	PART	MATERIAL	QTY.(Nos.)
1.	BODY	ASTM A216 Gr. WCB / CI *	01
2.	COVER	ASTM A216 Gr. WCB / CI *	01
3.	GASKET	NON ASBESTOS	01
4.	VALVE SEAT	Cr. STEEL	01
5.	BALL FLOAT & LEVER ASSY.	SS	01
6.	BOLT	ASTM 193 Gr. B7	04
7.	DRAIN PLUG	CS	01
8.	GASKET	COPPER	01
9.	BRACKET ASSY.	AISI 304	01

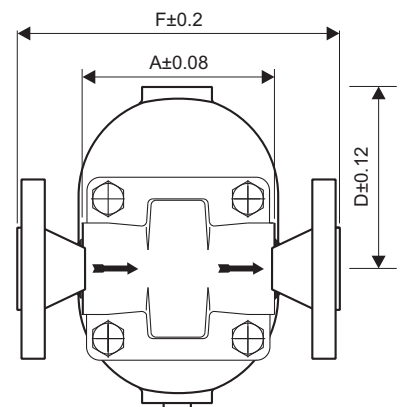
*CI only for 1" size traps.


DIMENSIONS (approx.) in inches

SIZE	A	B	C	D	E	F	
						#150	#300
1/2"	3.95	5.50	4.10	2.05	6.40	7.10	7.45
3/4"	3.95	5.50	4.10	2.05	6.40	7.20	7.60
1"	4.75	7.65	7.65	4.35	8.65	8.25	8.66


WEIGHTS (approx.) in lbs

SIZE	NPT / SW ENDS	FLANGED ENDS	
		#150	#300
1/2"	9.9	12.0	13.0
3/4"	9.9	12.8	14.3
1"	19.8	28.5	31.0


AVAILABLE SPARES:

Valve seat, Ball Float & Lever Assy., Gaskets.

Local regulations may restrict the use of this product below the conditions quoted. Limiting conditions refer to standard connections only. In the interest of development and improvement of the product, we reserve the right to change the specifications without prior notice.